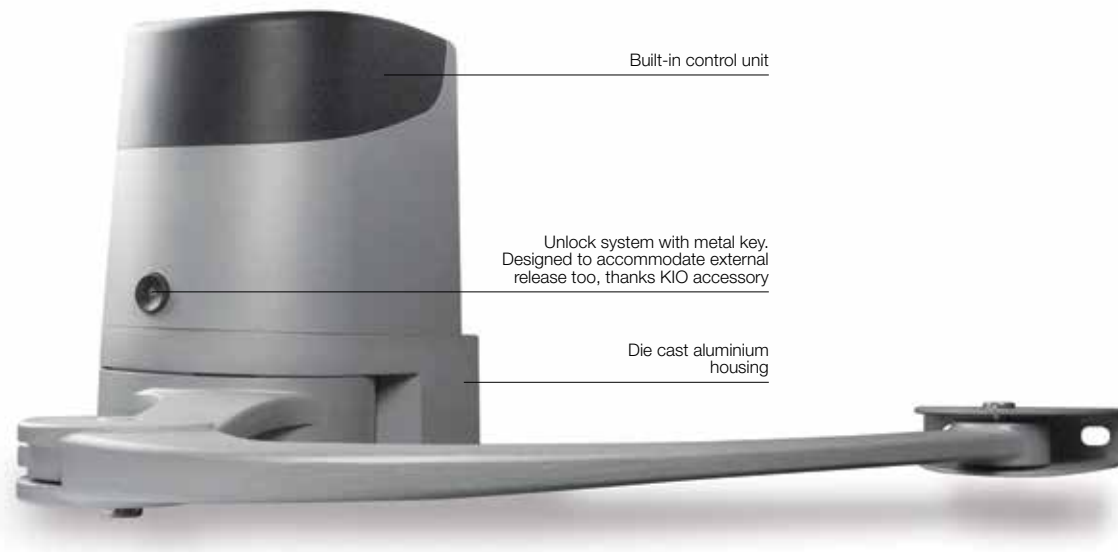


Hopp

For swing gates with leaves up to 2.4 m, ideal for large columns



Built-in control unit

Unlock system with metal key.
Designed to accommodate external
release too, thanks KIO accessory

Die cast aluminium
housing

Ideal for intensive use.

Irreversible electromechanical 24 Vdc gear motor with articulated arm, surface mounted.

Two irreversible 24 Vdc versions with micrometric adjustment mechanical stops on opening and closing: with built-in control unit (HO7124) and without control unit (HO7224).

Powerful thanks to the 250 Nm torque.

Resistant and compact: 180 mm in width, ideal for any kind of post. Small shockproof body with aluminium base.

Oz Kit

- Oz Kit 1**
 - motor x 1
 - receiver x 1
 - two channel remote x 2
- Oz Kit 2**
 - motor x 2
 - receiver x 1
 - two channel remote x 2

Sturdy, aluminium anti-shearing arm.

Easy to install: thanks to the new fixing bracket with quick connector for the motor. No welding.

Sophisticated electronics with the built-in control unit, ust 3 keys to manage all programming operations:

- obstacle detection;
- automatic fault diagnostics;
- automatic memorisation of limit switches on opening and closing with self-learning function;
- possibility of configuring the stop input in self-learning mode, NO, NC and the latest generation 8.2 KOhm resistive sensitive edges;
- deceleration on opening and closing;
- simple connection of pairs of additional photocells;
- programming of pause time;
- pedestrian open and partial open;
- clutch with anti-crush safety feature.

Energy saving with no black outs: 3 standby modes to reduce mains consumption, or battery power consumption if connected to the Solemyo kit. Operation in the event of a power failure thanks to the optional batteries (PS124).

Everything under control: thanks to compatibility for operation with Opera BUS T4, the unit O-View can be used to expand the options of programming, control and diagnostics of the automation on site and remotely.

COMMON ACCESSORIES



IT4WIFI
Smart Wi-fi interface to manage gates and garage doors by smartphone. (Not compatible with the Solemyo kit and battery backup.)



POA3
Spare control unit for HO7124,
Pc./Pack 1



PS124
24 V battery with integrated battery charger.
Pc./Pack 1



PLA10
Vertical 12 V electric lock.
Pc./Pack 1



PLA11
Horizontal 12 V electric lock.
Pc./Pack 1



KIO
Key-operated selector switch for low voltage contacts, with release mechanism for metal cord.
Pc./Pack 1



KA1
6 m cable release kit for KIO.
Pc./Pack 1



TS
Signboard.
Pc./Pack 1



SOLEMYO KIT
The solar power to automate gates, garage doors or barrier gates.

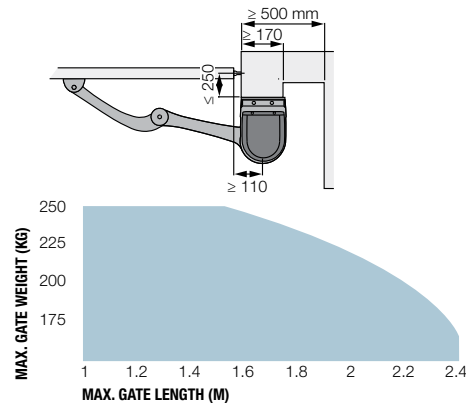
See page 140.

TECHNICAL SPECIFICATIONS

Code	Description	Pack/Pallet
HO7124	Irreversible 24 Vdc, complete with articulated arm and built-in control unit	12
HO7224	Irreversible 24 Vdc, complete with articulated arm without control unit	12

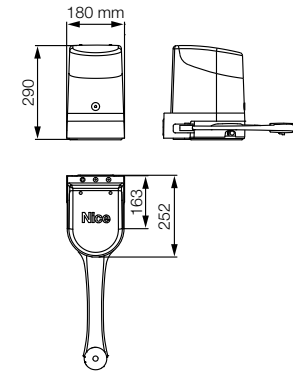
Code	HO7124	HO7224
ELECTRICAL DATA		
Power supply (Vac 50/60 Hz)	230	-
Power supply (Vdc)	-	24
Absorption (A)	1.3	4
Power (W)	280	100
PERFORMANCE DATA		
Speed (rpm)		1.68
Torque (Nm)		250
Work cycle (cycles/hour)		35
DIMENSIONAL AND GENERAL DATA		
Protection level (IP)		54
Working temp. (°C Min/Max)		-20 ÷ +50
Dimensions (mm)		252x180x290 h
Weight (kg)	9	6.5

UTILISATION LIMITS



The shape, the height of the gate and the weather conditions can considerably reduce the values shown in the graph to the side.

DIMENSIONS



COMPATIBILITY TABLE WITH CONTROL SYSTEMS AND ACCESSORIES

Code	receiver		transmitter						photocells								flashing light			
	Built-in*	OXI	ERA INTI	ERA ONE	ERA FLOR	NICEWAY	EPS	EPM	EPL	EPFB	EPMB	EPLB	EPWOW	F210	F210	F210B	F210B	ELAC	ELDC	WLT
HO7124		•	•	•	•	•				•	•	•	•			•			•	•

* Radio receiver incompatible with Opera system